

Featured on
Bob Vila
Energy Wise House

SHOWER UNITS Residential and Commercial Use

Made In USA 

6/04

MODELS

“THERMOSTATIC” Single Heating Module

APPLICATIONS:

For use with low volume shower head, hand shower or as booster.
Turn on .7GPM. Max Flow 2GPM

Thermostatic control. Precise outlet temp (+/-1°)

Thermostatic

Model	Options	Volts	kW	Amps
EX75T	DR	240V*	7.5kW	32A
EX95T	DR	240V*	9.5kW	40A

*can be used at 208 volts, 25% reduced output

Also available in 277 volts single phase (6, 8, 9, 10kW)

- Jetted bathtub booster less than 50 gallons
- Low Volume Hand Shower (Range .7 to 2 GPM)

FOR SHOWER



EX(T,DR)

OPTIONS

- T - hot or cold water feed
- DR - external temperature control, LED temperature display, see “DR” spec sheet

“SERIES TWO” Two Heating Modules

APPLICATIONS:

For use with several outlets

Staged turn on .7GPM. Max Flow 3GPM

Thermostatic control. Precise outlet temp (+/-1°)

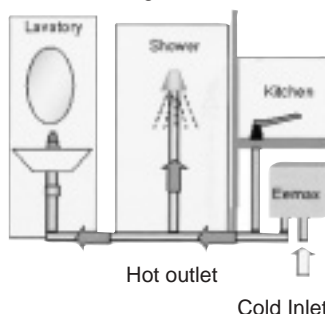
Thermostatic

Model	Options	Volts	kW	Amps
EX120	TC,DR	240V	11.5kW	48A
EX144	T,TC,DR	240V	15kW	(2x32) 64A
EX190	T,TC,DR	240V	19kW	(2x40) 80A
EX1608	T,TC,DR	208V	16.6kW	(2x40) 80A

OPTIONS

- T - hot or cold water feed
- TC - twin thermostats cold or hot water feed
- DR - external temperature control, LED temperature display, see “DR” spec sheet

- Jetted bathtub booster 50 - 100 gallons
- Whole house single shower water heater, cabin or condo, (range .7 to 3 GPM)



EX (T,TC,DR)

*can be used at 208 volts 25% reduced output
Also available in 277 volts single phase (16,20kW)

“SERIES THREE” Three Heating Modules

APPLICATIONS:

Whole house unit has capacity to handle up to two showers at a time.

Staged turn on .7GPM. Max flow 4GPM

Thermostatic control. Precise outlet temp (+/-1°)

Thermostatic

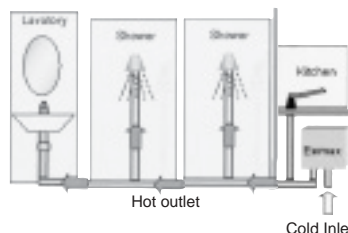
Model	Options	Volts	kW	Amps
EX280	T2T,DR	240V*	28kW	(3x40)120A

- Engineered to turn on in stages. Uses only needed energy for amount of flow required.
- Sophisticated thermostat delivers precise outlet temperature.

OPTIONS

- T2T - hot or cold water feed, staged turn on
- DR - External Temperature Control, LED temperature display, see “DR” spec sheet

- Jetted bathtub booster 50 - 100 gallons
- Eemax most powerful whole house multi shower water heater. (range .7 to 4 GPM)



EX (T2T,DR)

*can be used at 208 volts 25% reduced output
Three Phase also available in 480/277 volts star (18,24,32kW) or 120/208 volts delta (18,24kW)

The complete showering system.

QUALITY FEATURES

- **99% efficiency rating**
- **Cuts energy waste:** No stand-by heat loss. Heats only when needed.
- **Low Installation cost:** Requires only one cold water input line - integral 1/2" compression (5/8" OD) fittings at bottom of unit. No solder connections. Mounts on wall. (3/4" NPT adapter available EX178)
- **Designed for durability:** Reduces calcification and sedimentation.
- **Thermostatic control:** microprocessor provides precise outlet temperatures
- **Regulates power to required flow.**
- No T&P, drain pans, thermal expansion valves (check local codes)
- **Endless Hot water**
- **Five year warranty on heater body. One year on parts.**
- **Replaceable cartridge element. (one year unconditional warranty)**

**Eemax...
Partner Sponsor for Bob
Vila's Energy Wise House**

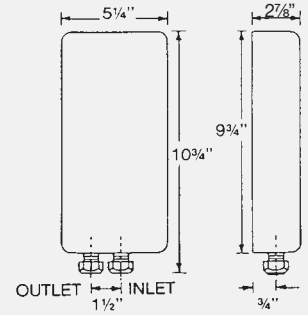
BOBVILA.COM
The Ultimate Home Site



SPECIFICATIONS

“THERMOSTATIC” (Single Heating Module) (EX75T/EX95T)

Dimensions: 10.75"x5.25"x2.25"
 Weight: 3 lbs
 Operating pressure: 25 min PSI, 150 max PSI
 Cover: ABS UL rated 94 Vo.
 1 Glass reinforced Heater Body
 and Ni Chrome element.
 Color: White
 Microprocessing temp control (+/-1°) accuracy,
 adjustable range 100° - 140°F
 Element: Replaceable cartridge insert
 Pipe-Fittings: 1/2" compression fittings at
 bottom of unit. (5/8" OD)
 UL listed: E86887(M)
 U.S. Patent #'s: 4,762,980 and 4,960,976



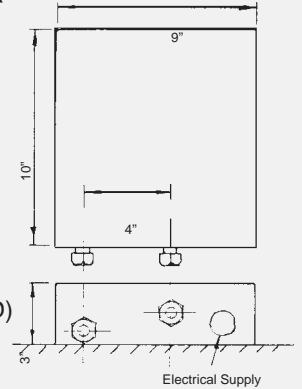
THE ADVANTAGE OF EEMAX TANKLESS ELECTRIC WATER HEATERS.

Because flow activates Eemax's powerful heating elements there is no wasted energy. Eemax's sophisticated thermostatic control and staged heating modules give you precise temperature and flow meeting all your hot water needs.

- Never run out of hot water again
- Saves Energy
- Saves Space
- Reduces material and installation cost
- Rugged Construction:
5 year warranty on heater body
One year parts, including replaceable
cartridge element

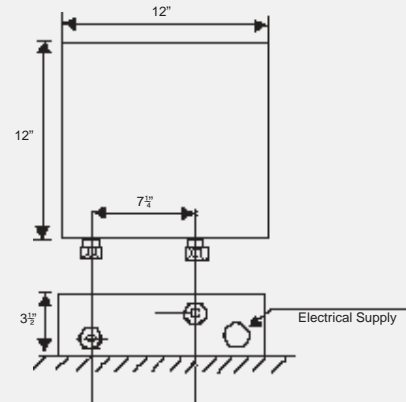
“SERIES TWO” (Two Heating Modules) (EX120TC/EX144T/EX190T)

Dimensions: 10"x9"x3"
 Weight: 8 lbs
 Operating Pressure: 25 min PSI, 150 max PSI
 Cover: Enameled Steel
 2 Glass reinforced Heater Bodies
 and Ni Chrome elements
 Color: White
 Element: Dual replacement cartridge inserts
 Microprocessing temp control (+/-1°) accuracy,
 adjustable range 100° - 140°F
 Pipe Fitting: 1/2" compression at bottom of unit (5/8" OD)
 UL listed: E86887(M)
 US Patent #'s: 4,960,976 and 4,762,980



“SERIES THREE” (Three Heating Modules) (EX 280T2T)

Dimensions: 12" x 12" x 3.5"
 Weight: 12 lbs
 Operating Pressure: min 25 PSI, max 150 PSI
 Cover: Enameled Steel
 3 Glass Reinforced Heater Bodies
 and Ni Chrome elements
 Color: White
 Element: Triple replaceable cartridge inserts
 Microprocessing temp control (+/-1°) accuracy,
 adjustable range 100° - 140°F
 Pipe Fitting: 1/2" compression at bottom
 of unit. (5/8" OD) or 3/4" NPT Adapter EX178)
 UL listed: E86887(M)
 US Patent #'s: 4,762,980 and 4,960,976



Typical Flow Rates in Gallons per Minute (gpm)

Fixture Type	Lavatory	Bathtub	Shower	Kitchen Sink	Pantry Sink	Laundry Sink	Dish-washer
Flow Rates	.5	2.0 - 4.0	1.5 - 3.0	1.0 - 1.5	1.5 - 2.5	2.5 - 3.0	1.0 - 3.0

Target outlet temperature 105°/110° for bathing.
 Average incoming temperature 55°.

RATINGS

MODEL	THERMOSTATIC OPTIONS	VOLTS	kW RATING	AMPS	TEMPERATURE RISE °F					Recommended Wire Size
					1.0GPM	2.0GPM	2.5GPM	3.0GPM	4.0GPM	
EX75T	DR	240V	7.5kW	32A	51°	25°	20°	17°	13°	8 AWG
EX95T	DR	240V	9.5kW	40A	65°	32°	26°	21°	16°	8 AWG
EX120	TC,DR	240V	11.5kW	48A	79°	39°	31°	26°	19°	6 AWG
EX144	T,TC,DR	240V	15.0kW	(2x32A) 64 ⁺	102°	51°	38°	34°	26°	8AWG per module
EX190	T,TC,DR	240V	19.0kW	(2x40A) 80 ⁺	130°	65°	52°	43°	32°	8AWG per module
EX1608	T,TC,DR	208V	16.6kW	(2x40A) 80 ⁺	113°	55°	45°	38°	28°	8AWG per module
EX280	T2T,DR	240V	28.5kW	(3x40A) 120 ⁺	—	96°	76°	65°	47°	8AWG per module

*Units can be used on 208V with 25% reduced output.

⁺This unit must have independent electrical circuits using correctly rated wire and circuit breakers.

SPEC OPTIONS:

- T = cold water feed
- TC = twin thermostats cold or hot water feed
- DR = External Temp. control LED readout, see "DR" spec sheet
- T2T = Hot or cold Feed staged turn on min .7 GPM, max 4 GPM



MADE IN USA

Eemax® Inc.
 353 Christian St., Oxford, CT 06478

www.eemax.com

Telephone: (203) 267-7890
 Toll Free: 1-800-543-6163
 Fax: (203) 267-7975